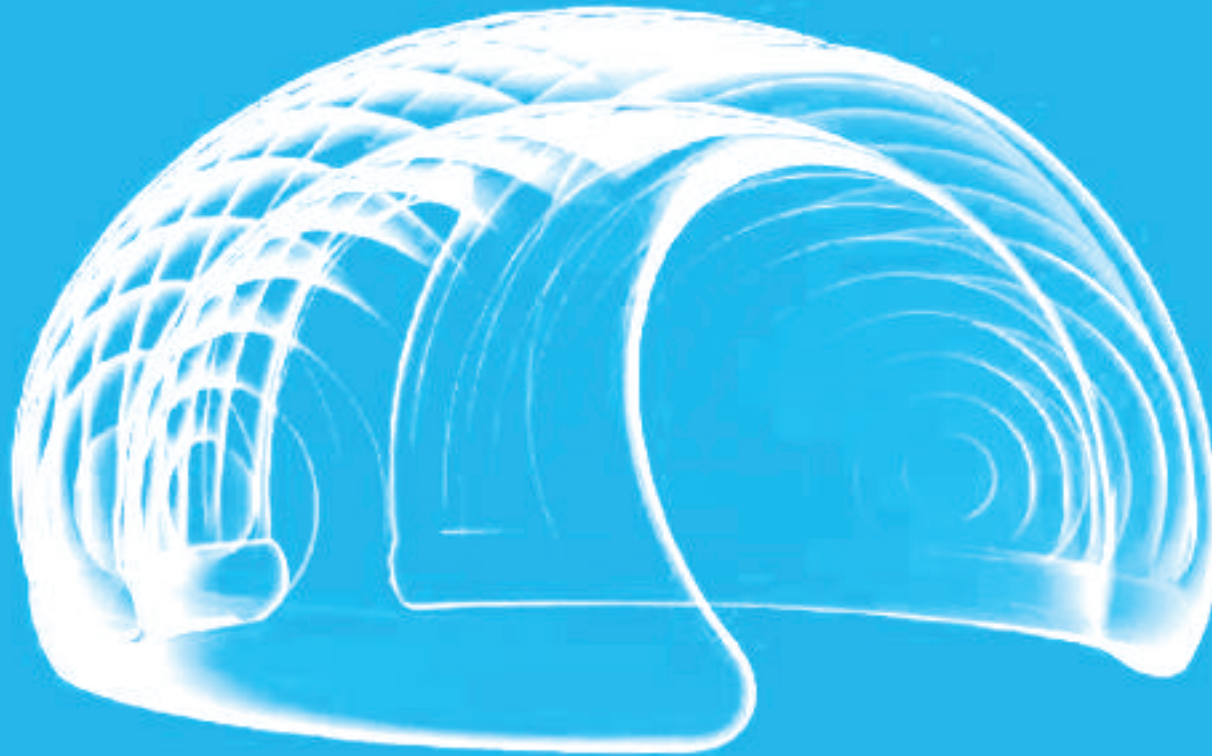


Lunas

Data Sheet



Product Variations

Inspire is a brand new range of high performance, beautifully designed, and practical temporary event structures.

Create an inviting area with our Inflatable Lunas!

The Luna inflatable pod structure is one of our most versatile structures. It can be used both indoors and outdoors and is a free-standing structure.

Even our smallest standard size Luna can hold approximately 13 people. It's unique open-fronted design allows for activities to overflow outside.

This inflatable is a lightweight solution and can be installed in under 30 minutes. It packs down into a small bag that weighs only 40 Lbs.

The Luna inflatable pod can be created according to your specifications and ideas. This includes full color printing directly onto the fabric of the inflatable structure. It can be a design or branding and we can also make any additions or alterations you like. These inflatable pod structures can also be lit up using colored LED event lighting which can turn your pod into any color you require, or be programmed to change intermittently to colors of your choosing.

The Inspire Luna range includes:

Inspire Luna System

The range includes a very simple to install meeting point or exhibition hub for indoor use, made from strong rip stop nylon with taped seams. Superb curved design, extremely quick to inflate and comes with a storage bag, ground sheet and fan.

Available in the following sizes:

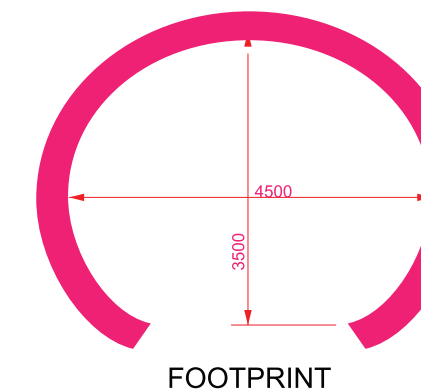
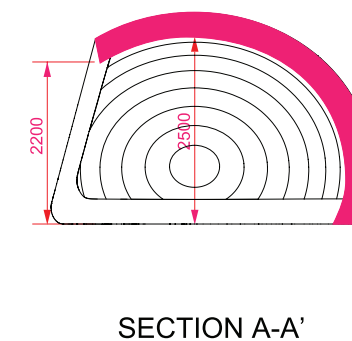
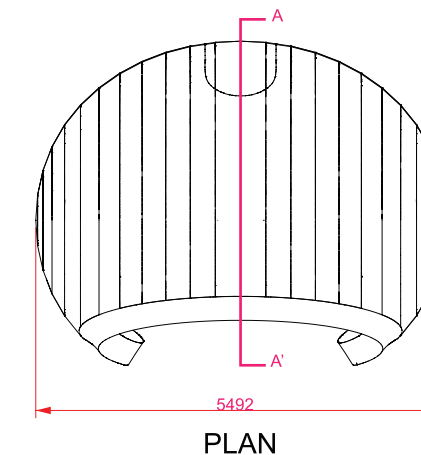
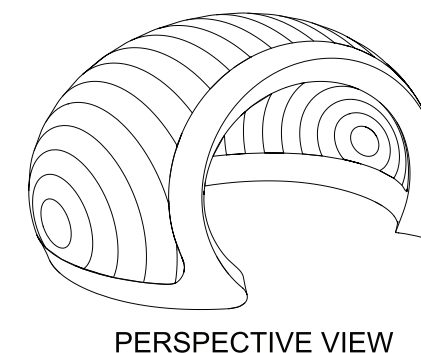
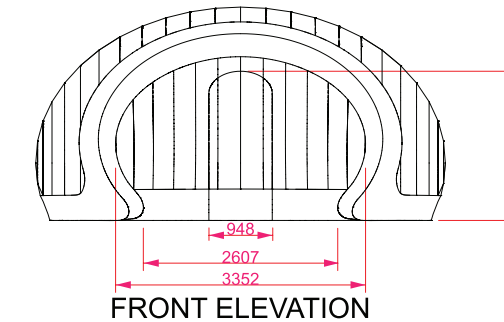
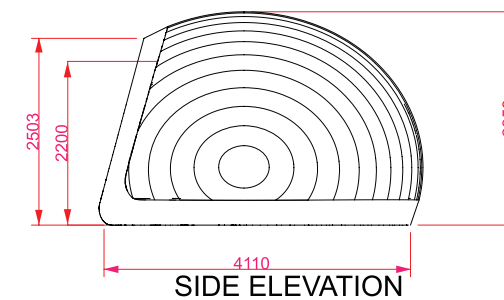
5.5m wide x 2.8m tall x 4.5m deep

7.5m wide x 3.5m tall x 6m deep

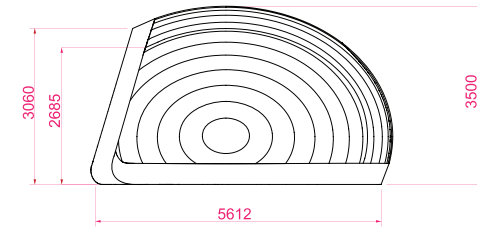
The Inspire range of structures can be tailored to suit your event needs, we offer branding with options including direct print and replaceable printed covers.



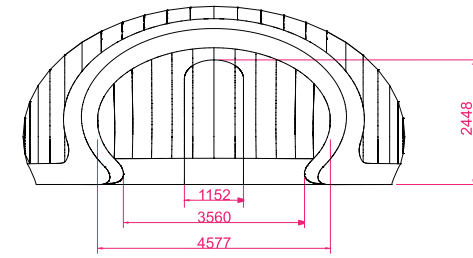
General Arrangement



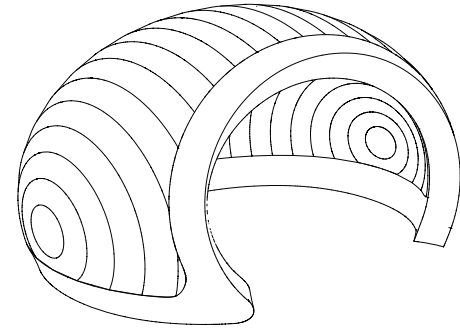
General Arrangement (XL)



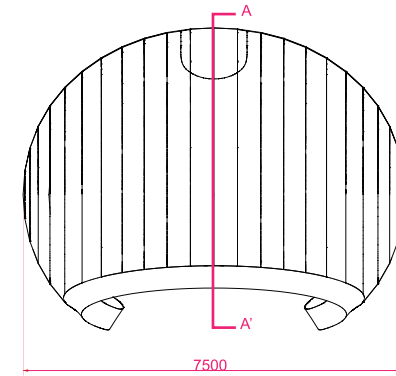
SIDE ELEVATION



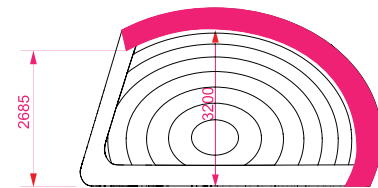
FRONT ELEVATION



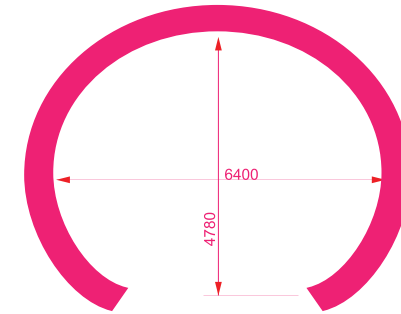
PERSPECTIVE VIEW



PLAN



SECTION A-A'



FOOTPRINT

Product Specification

PACKAGE

- 1x Structure, 1x Packing Bag, 2x FG6 fans.

STRUCTURE

- Packed Size:** • 400mm x 300mm x 300mm (est.)
- Packed Weight:** • 20kg (est.)
- Inflated Size:**
 - External: L4.2mx W4m x H3.1m
 - Internal: L3.4mx W3.4m x H2.8m
- Internal Floor Area:** • 4.5m²
- Plot size Required:** • 5m x 5m plus
- Entrance/Exit Size:** • W3.1m, H2.3m
- Fabrics:** • PVC, rip stop nylon FR treated
- Colors:** • Combinations of white/black/silver

Please Note: Information is correct at time of publication. The company accepts no responsibility for variations in dimensions or weights. The company reserves the right to alter any dimensions or weights at any time without prior notice.

POWER & FANS

- Fans:** • 2x FG6 fans
- Min Secure Power:** • 120v
- Fan Weight:** • 4kg per fan
- Fan Dimensions:** • 304mm x 304mm x 203mm

Please Note: It is the responsibility of the client or site management to ensure that the power used for fans is secure and tested. The above power consumption is for fans only and covers no extra electrical items. No other item should be connected to the fan power lines. The company accepts no responsibility for damages to equipment or damages to inflatable structures, injuries to persons or loss of earnings due to electrical power faults.

INSTALLATION & DERIG

- Crew:** • 1 persons (min)
- Set Up Time:** • From 30 mins
- Inflation Time:** • 20 mins for structure when fixed
- Derig Time:** • From 30 mins

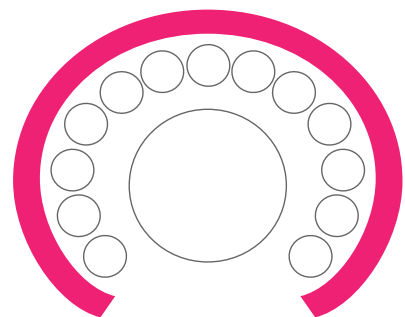
PRODUCT ENHANCEMENTS

- Branding - Temporary/Permanent / Banners • Lighting • Flooring
- Custom Colored Fabric • All Spares of Basic Package

Please Note: Refer to separate later page for more detail on product enhancement. Please note the above technical data can be effected by additional product enhancements. The company reserves the right to add or remove product enhancements from product range without prior notice.



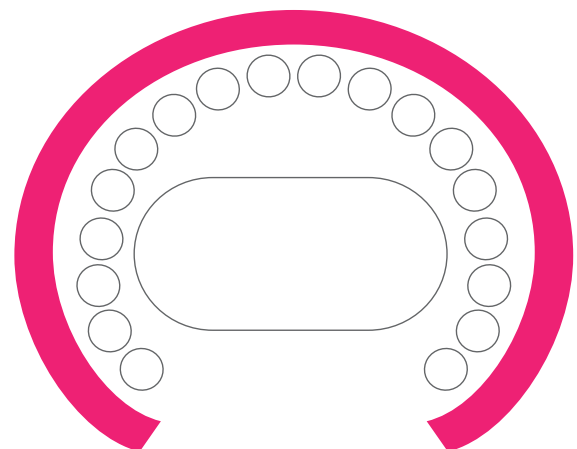
Product Capacity



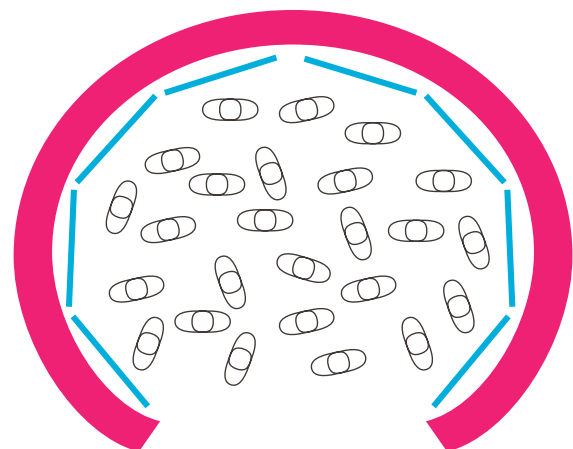
Seating Capacity:
13 Seats
1 Ø2m meeting table



Exhibition capacity:
5x Exhibition stands
13 People



Seating Capacity:
18 Seats
1 4m length meeting table



Exhibition capacity:
8x Exhibition stands
25 People

Product Enhancement

Branding

Branding can be applied permanently to any of the Inflatable structures as screen print or digital printing at the source of production. Temporary branding can be added as vinyl or Dacron adhesive panels at any stage. Please note that not all artwork is suitable for printing on our structure range. It is advised sample artwork be supplied in an .eps format so we can advise the best solution. Full replaceable covers are available to the range. These can be branded and printed to ensure your structure matches your brand.

Custom colors and materials

All our structures are manufactured in ripstop nylon and reinforced PVC. As standard they are made in white and grey. Although a full color range is available, this may alter lead times and costs.

Other materials are available and we are happy to discuss specific needs / projects and will advise on what we feel is the most appropriate solution. All fabrics are tested for performance of flammability for textiles used in the construction of marquees and similar textiles structures to standards: BS 7837:1996 / BS 5438:1989.

Lighting

As an optional extra we can provide internal LED lighting systems which will transform the look and feel of your inflatable structure. The ambient lighting effect can be either one colour change or mixed to produce your perfect environment.

Flooring

Flooring is available upon request and is offered to suit all event needs. We offer simple snap lock flooring. This offers light weight flooring and ideal for grass and concrete. It can be further enhanced by adding a finishing carpet.

Transport

By its nature an inflatable structure packs down to considerably less than its inflated size. The largest of our range packs down to less than 2M³ which makes the structures ideal to store and use again. Each product will be supplied in its own storage bag and will be easily transported in an out of any venue.

Warranty

Inspire offers a 12 month warranty on the manufacture process and materials if the user manual and install guides are followed. Due to the nature of weather and installation conditions, Inspire reserves the right to carry out an onsite inspection and report which way the warranty will be meet.

